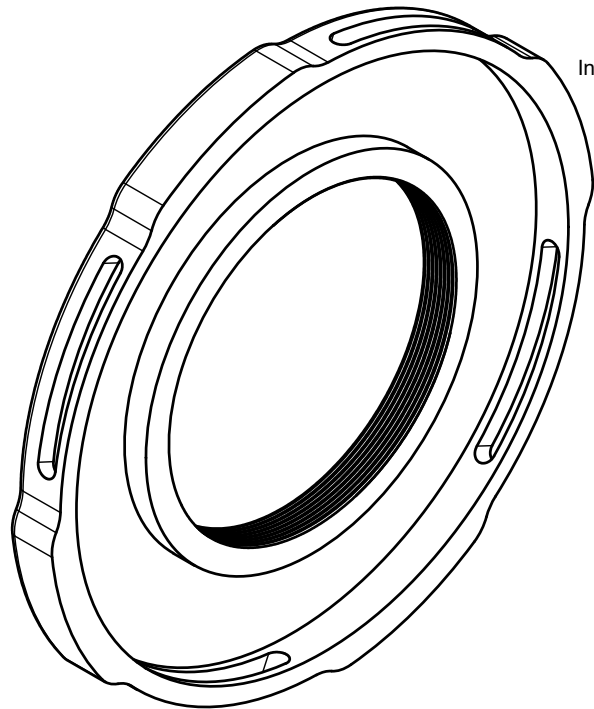
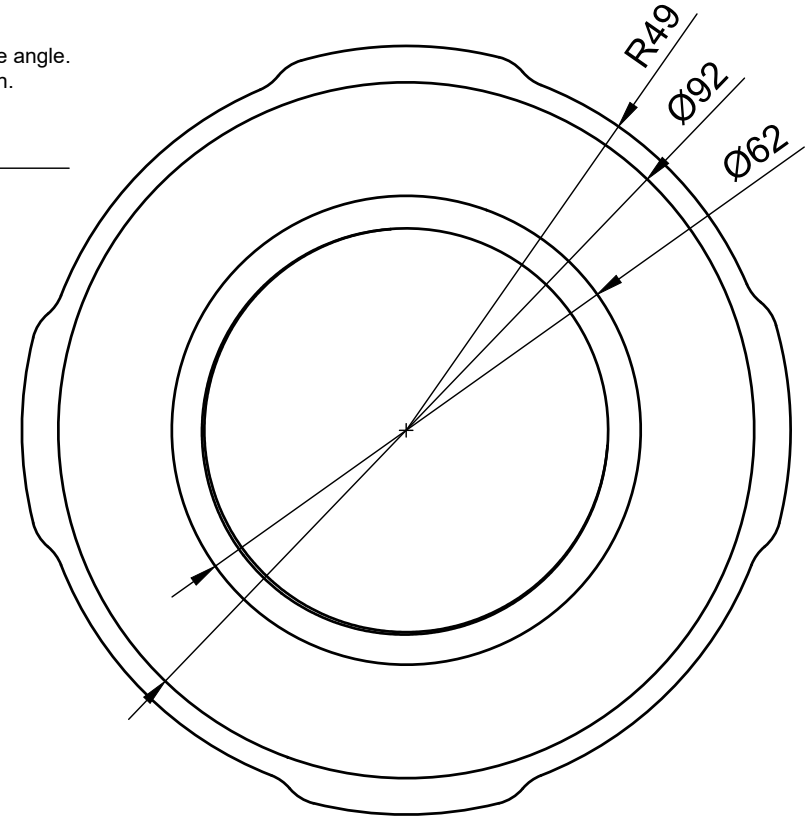


4 x slots for M3 bolts, at 45 degree angle.  
Slots should be 30-40mm in length.

Note:  
Bolts should have plastic spacers.



Inner View  
Drawtube side

Dept.	Technical reference	Created by <b>ΑΓΓΕΛΟΣ ΚΕΧΑΓΙΑΣ 1/28/2022</b>	Approved by	
		Document type	Document status	
		Title <b>Prodigy adapter</b>	DWG No.	
		Rev.	Date of issue	Sheet <b>1/1</b>